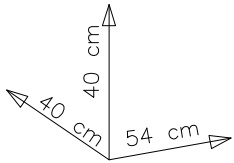
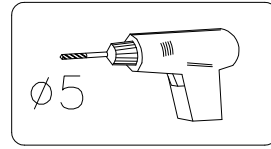
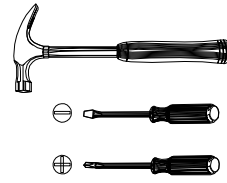
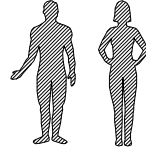
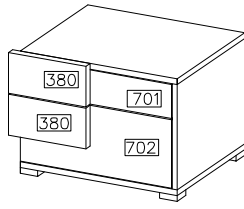
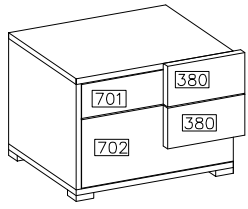
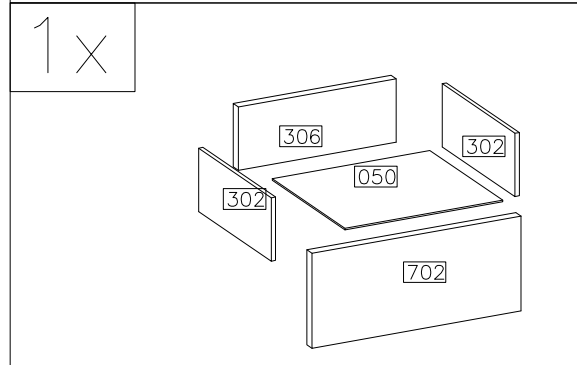
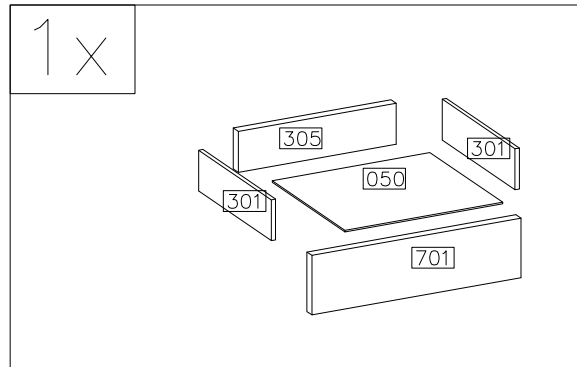
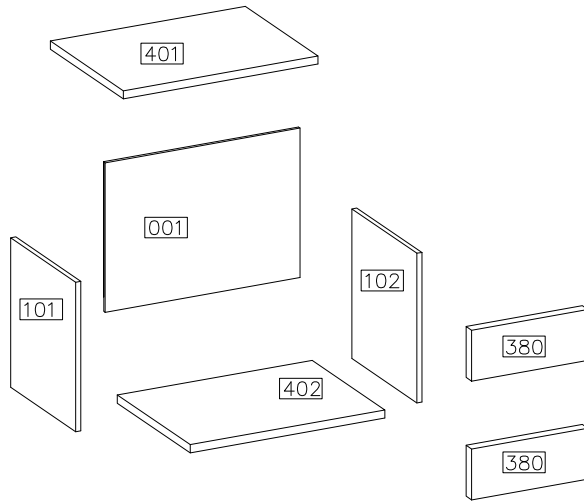
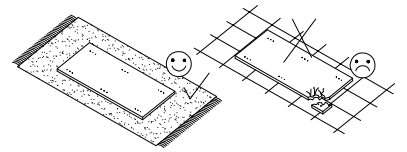


BAFRA

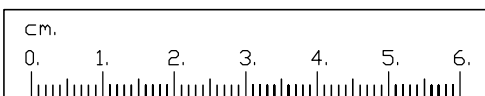
23



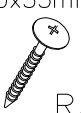
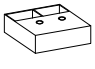
#		
1	401	1
2	402	1
3	101	1
4	102	1
5	701	1
6	301	2
7	305	1
8	050	2
9	702	1
10	302	2
11	306	1
12	001	1
13	380	2

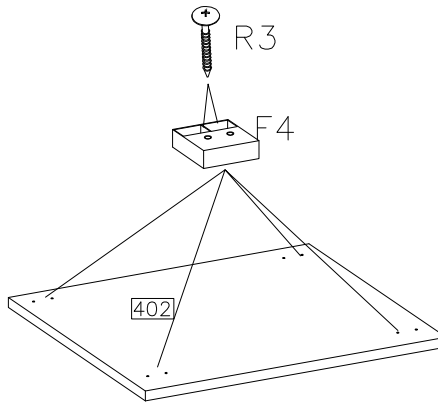


	ø15/12mm 		ø8x30mm 	ø4.0x16mm 	4.0x40mm 	
8	8	8	24	24	8	8
4.0x35mm 						
8	4	2KPL	30	2		




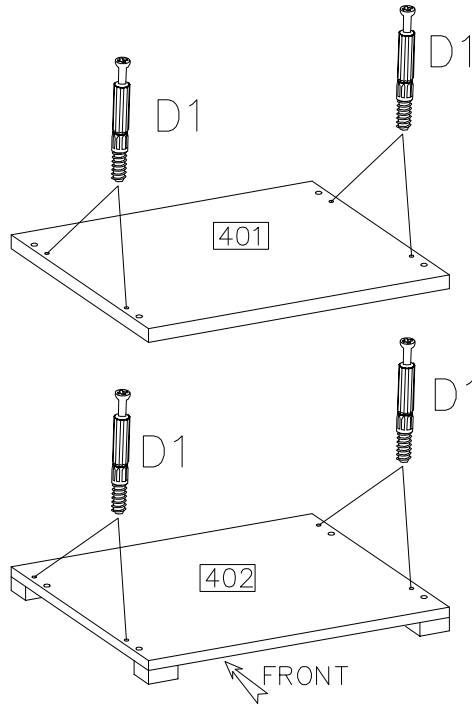
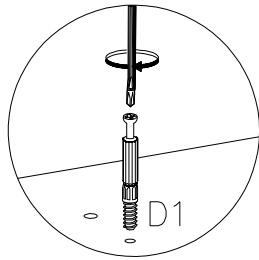
1

4.0x35mm		
	R3	F4
	8	4

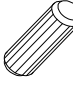

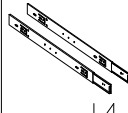



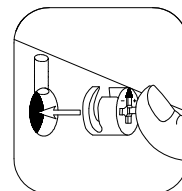
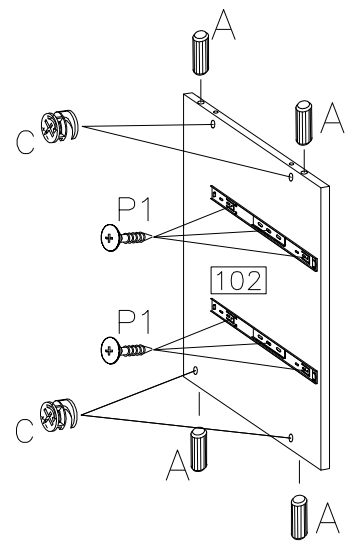
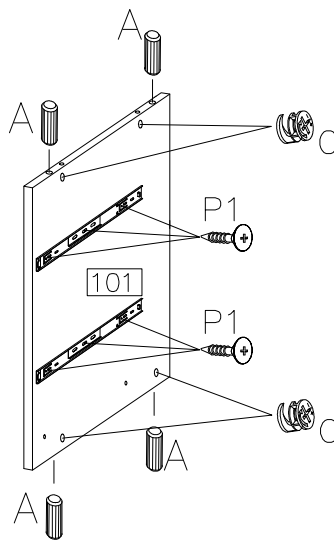
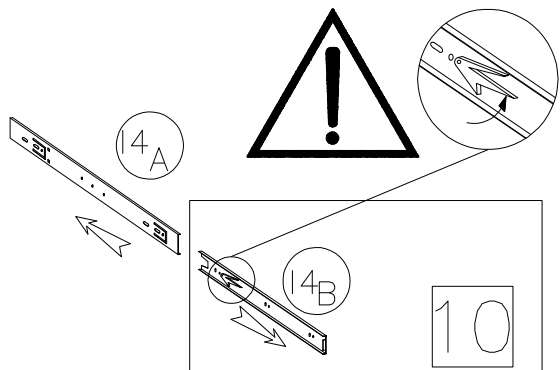
2

	D1
	8

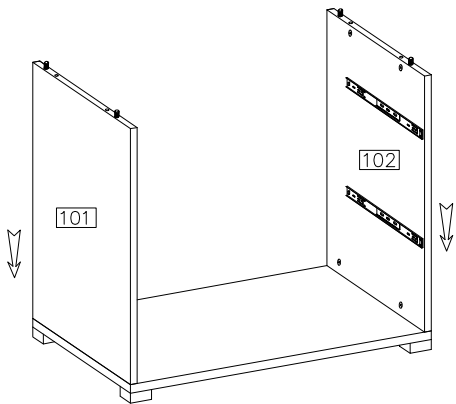
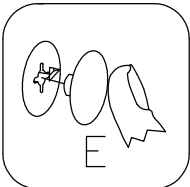
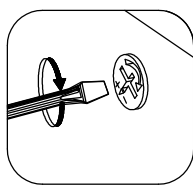
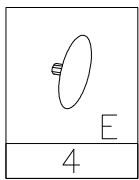


3

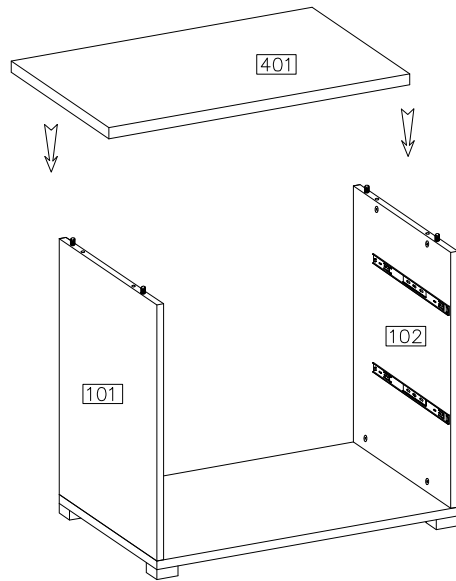
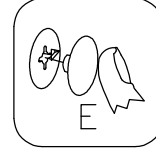
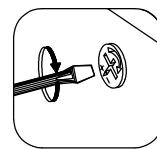
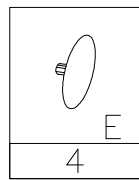
ø8x30mm	ø15/12mm
	
A	C
8	8
	ø4.0x16mm
14	
2KPL	P1
	12



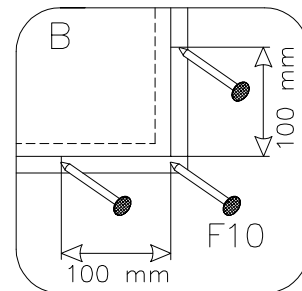
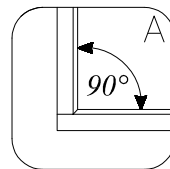
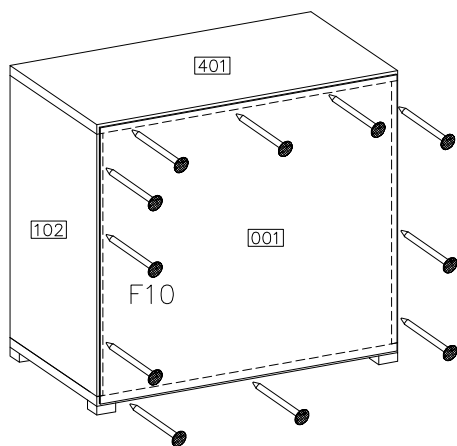
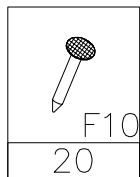
4



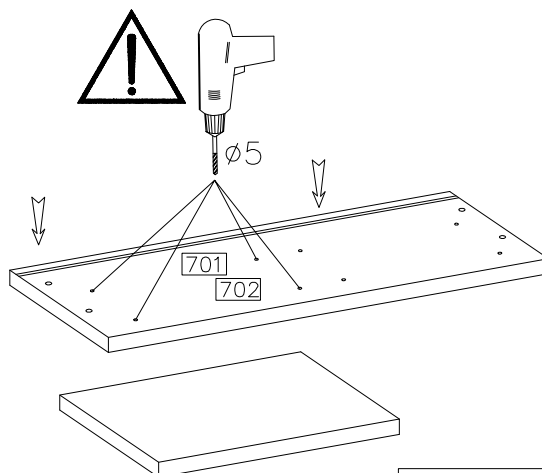
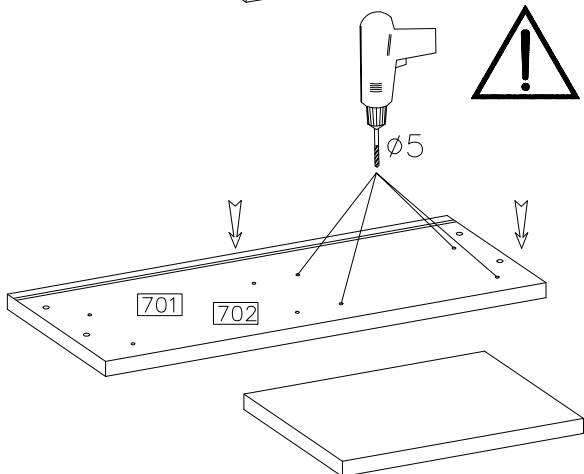
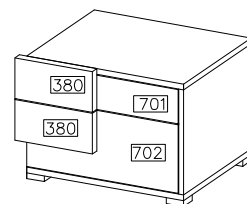
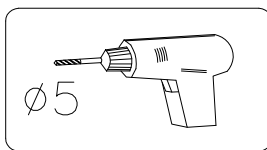
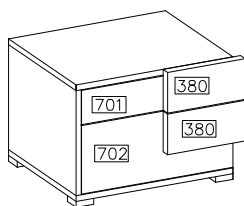
5



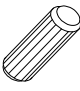

6



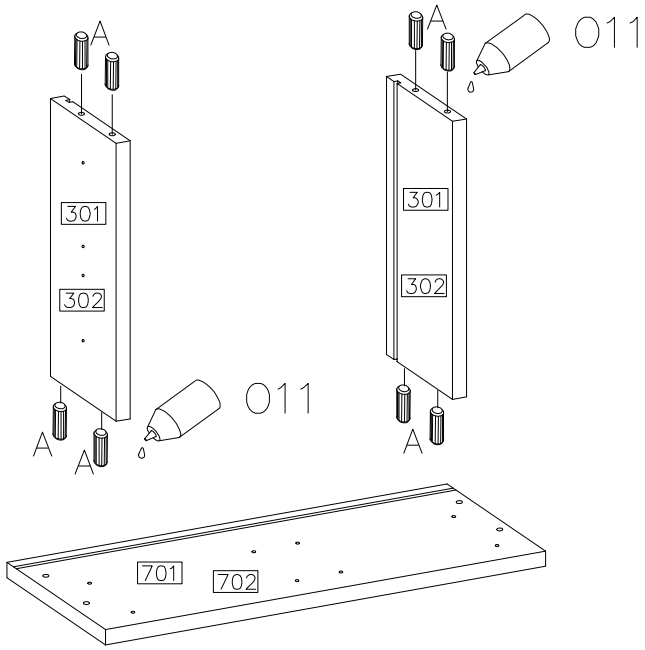
7





8

∅8x30mm		
A		011
16		

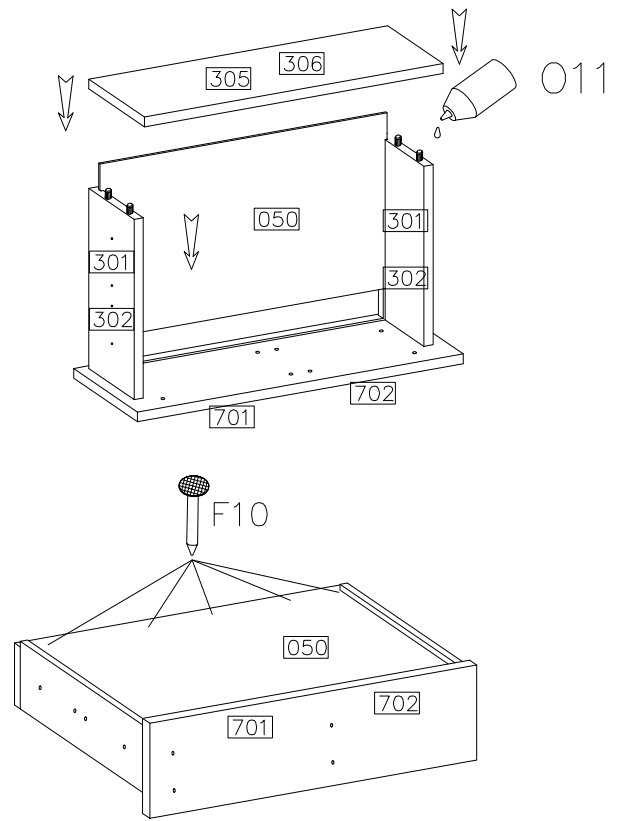
2x



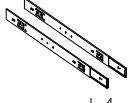
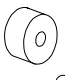
9

	
F10	011
10	

2x



10

	∅4.0x16mm	4.0x40mm	
I4	P1	R2	C2
2KPL	12	8	8

